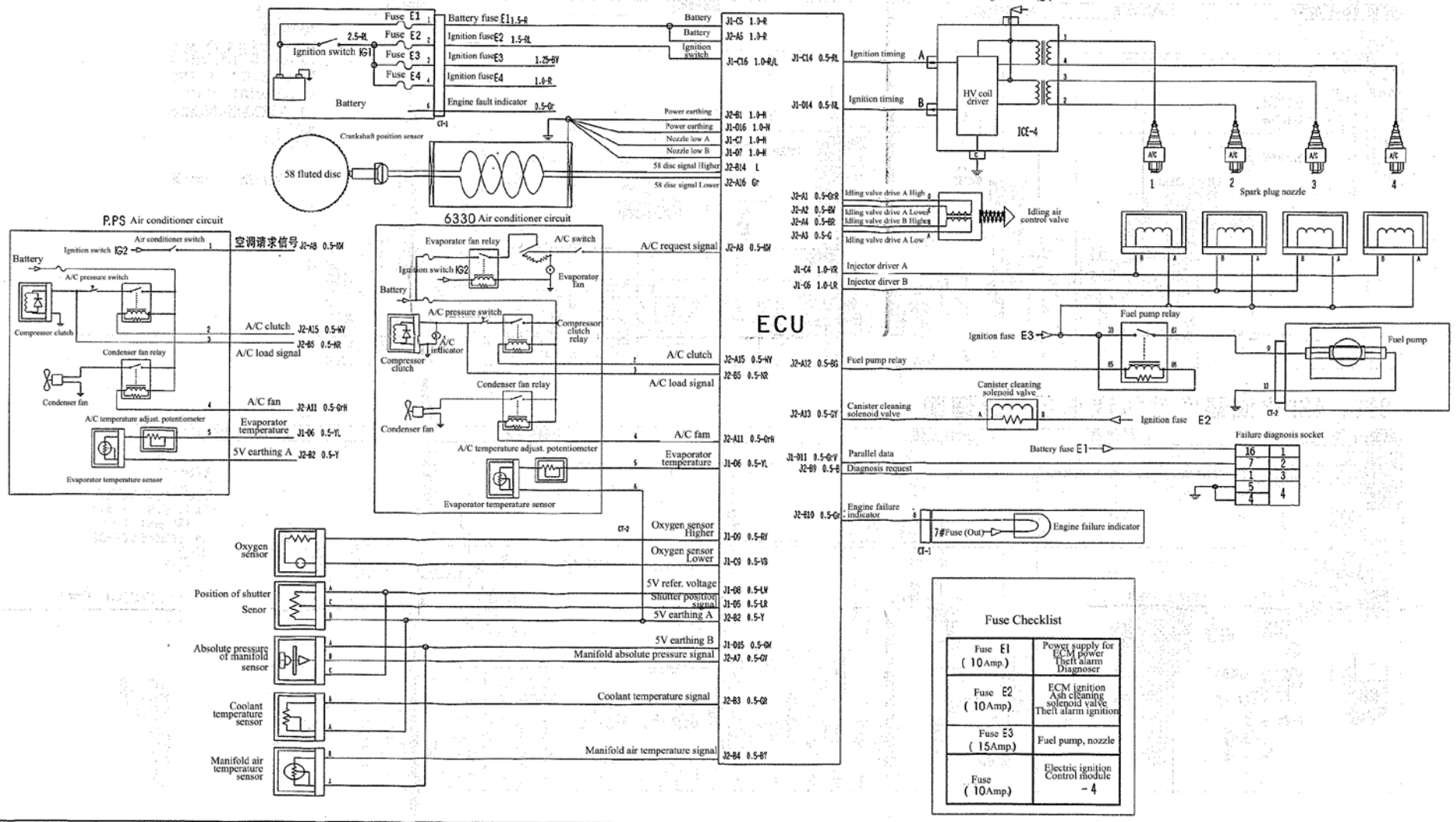


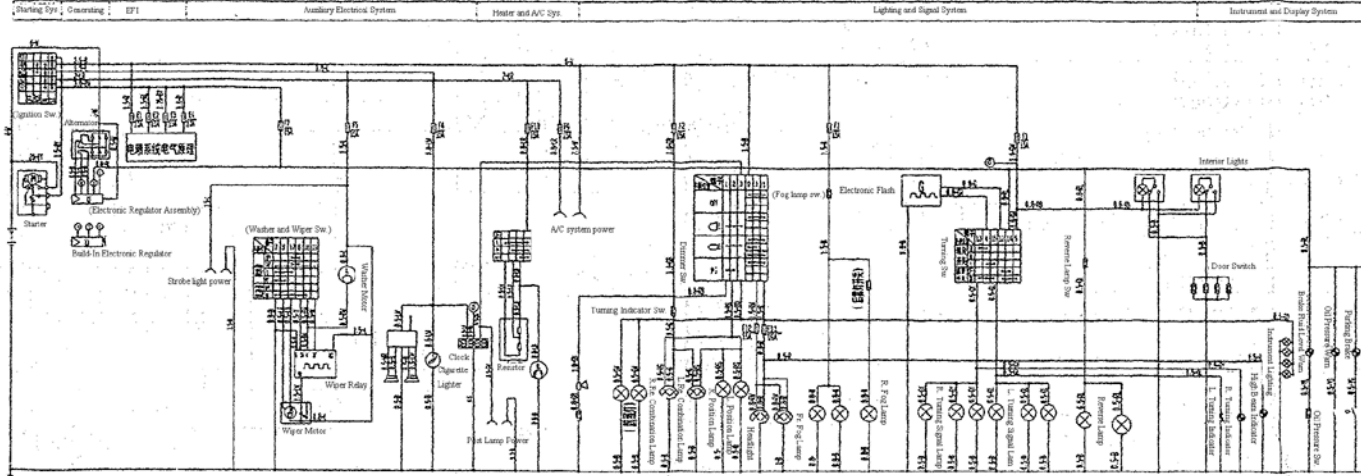
Electrial - Delphi EFI System



Fuse Checklist

Fuse E1 (10Amp)	Power supply for ECM power Theft alarm Diagnoser
Fuse E2 (10Amp)	ECM ignition Ash cleaning solenoid valve Theft alarm ignition
Fuse E3 (15Amp)	Fuel pump, nozzle
Fuse (10Amp)	Electric ignition Control module - 4

Electrical System, DELPHI 4-Cylinder EFI Engine



Note:

Wire color code:

B: Black; G: Green; L: Blue; N: Brown; O: Orange;

R: Red; W: White; Y: Yellow; Gr: Grey; V: Purple;

Wire Designation:

Example: 1-5-RW

1.5: wire sectional area 1.5 mm²;

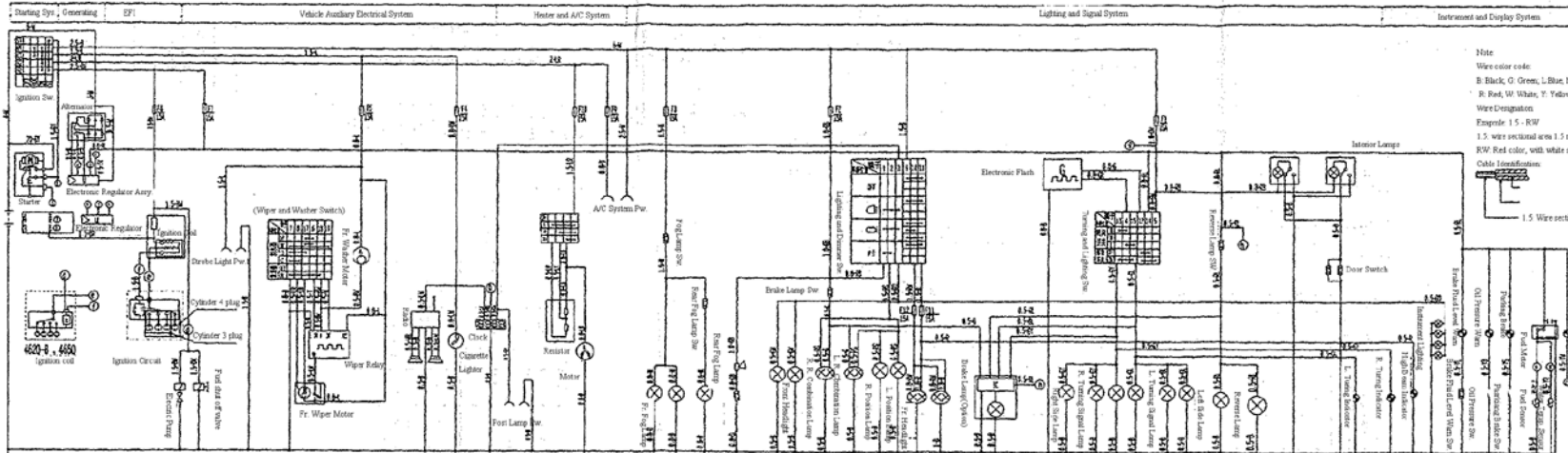
RW: Red color, with white strips

Cable Identification:



1.5: Wire sectional area 1.5 mm²

Electrical System, 3-Cylinder, and 4-Cylinder Carburetor Engine



Note:

Wire color code:

B: Black; G: Green; L: Blue; N: Brown; O: Orange;

R: Red; W: White; Y: Yellow; Gr: Grey; V: Purple;

Wire Designation:

Example: 1-5-RW

1.5: wire sectional area 1.5 mm²;

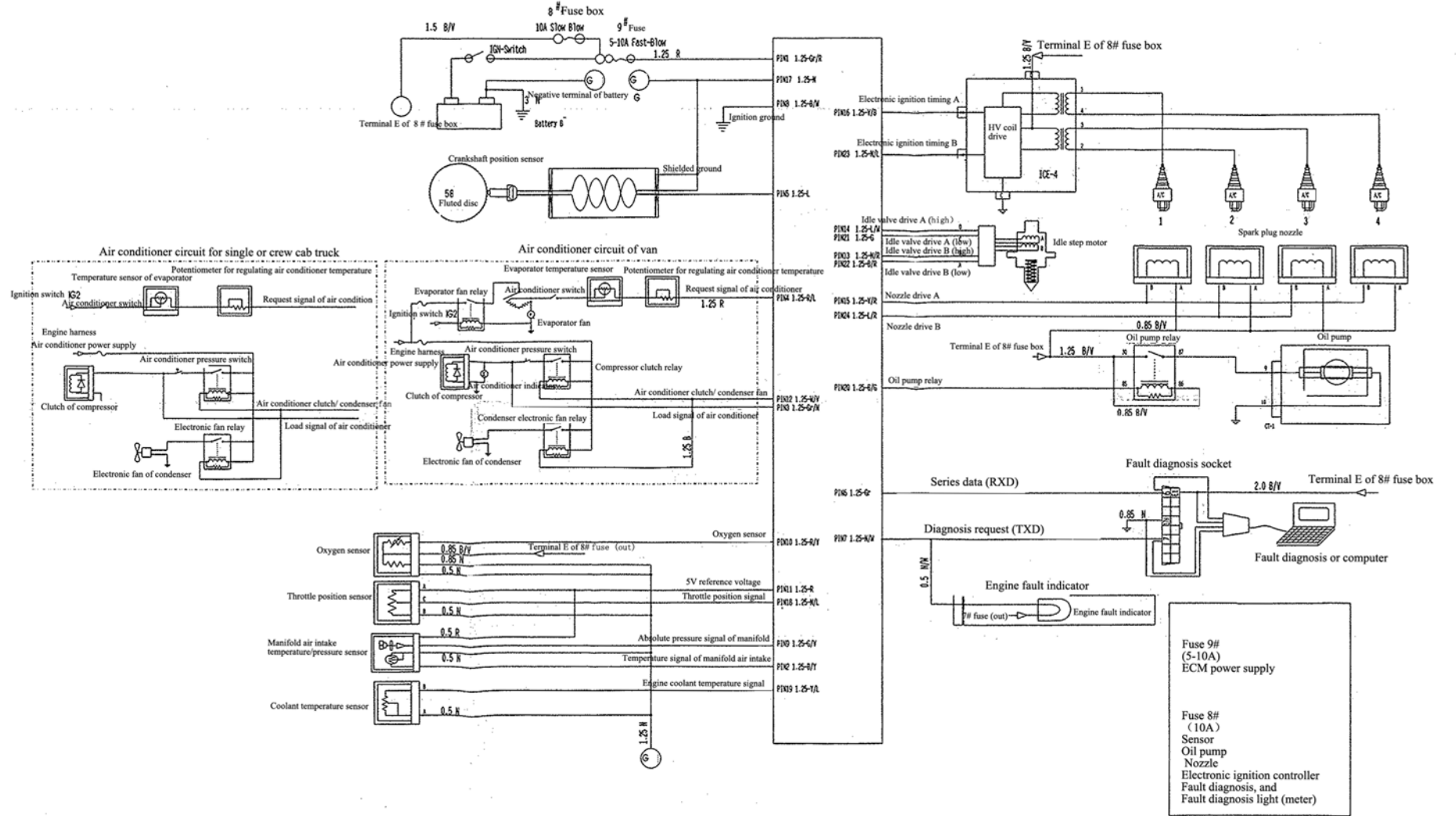
RW: Red color, with white strips

Cable Identification:



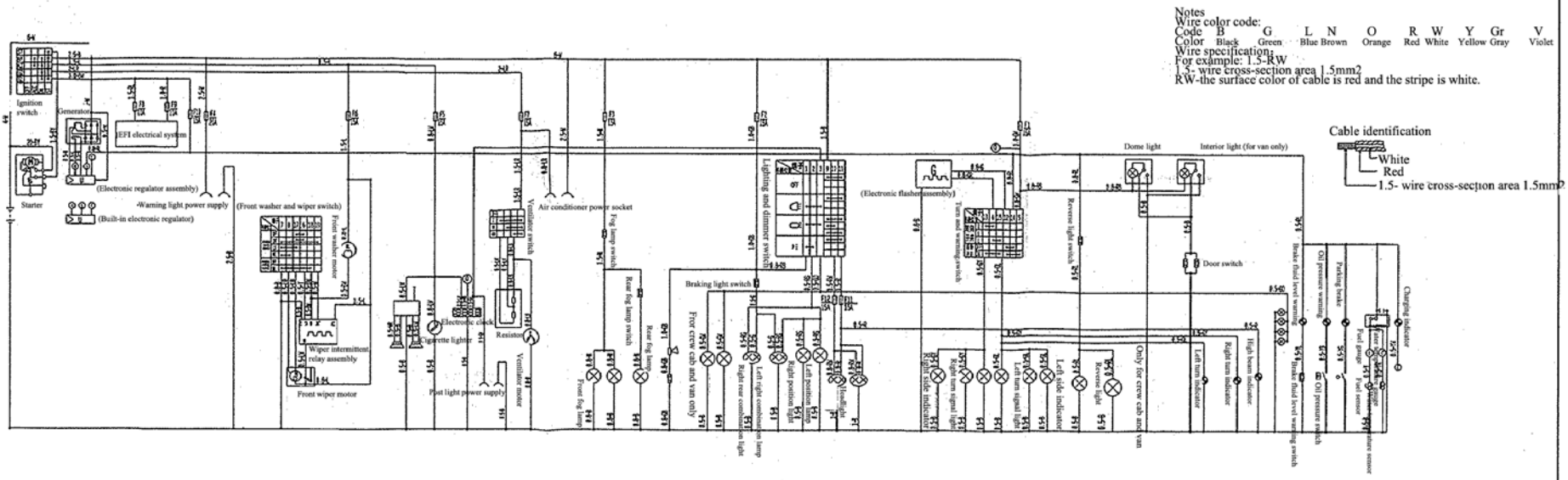
1.5: Wire sectional area 1.5 mm²

Electrical System Diagram of Motorola EFI System



Electrical System Principle Diagram of Vehicle with 4-Cylinder Motorola EFI Engine

Starter Generator EFI Auxiliary Circuit Heater and Air/Conditioner Lighting and Signal System Meters and Indicators



Notes
 Wire color code:
 Code B G L N O R W Y Gr V
 Color Black Green Blue Brown Orange Red White Yellow Gray Violet
 Wire specification:
 For example: 1.5-RW
 1.5- wire cross-section area 1.5mm²
 RW-the surface color of cable is red and the stripe is white.

Cable identification
 White
 Red
 1.5- wire cross-section area 1.5mm²